

E2M0.7, E2M1.5 & E2M2.5 OIL SEALED ROTARY VANE PUMP

edwardsvacuum.com

Edwards EM pumps are designed for reliable, long term operation and the E2M2.5 is no exception. The latest addition to the Edwards family of Small EM oil sealed rotary vane pumps offers increased pumping speed but in the same compact form extending the choice for system maker and end user. Based on our proven E2M1.5 range of pumps the E2M2.5 offers 2.5 m³h⁻¹ pumping speed; for those applications where space is tight but a little more speed would be beneficial. The pumps are suitable for a wide range of scientific and laboratory applications and backing small turbomolecular pumps.



FEATURES AND BENEFITS

- Simple installation and operation with no customer wiring
- Pumping speeds from 0.7 to 2.5 m³h⁻¹
- Alternate side inlet connection port so that overall installation height can be reduced to a minimum
- Internal ATEX classification of Ex II 3 G Exh IIB T4 Gc
- Approved to EN61010, CSA22.2 and UL61010
- Fully RoHS compliant

TECHNICAL SPECIFICATIONS

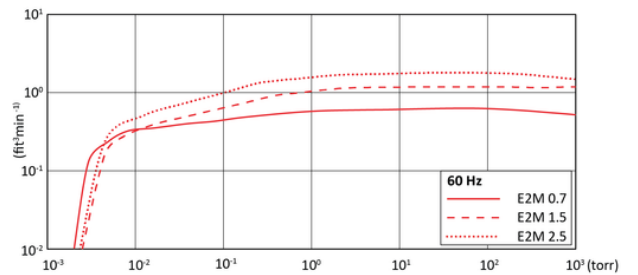
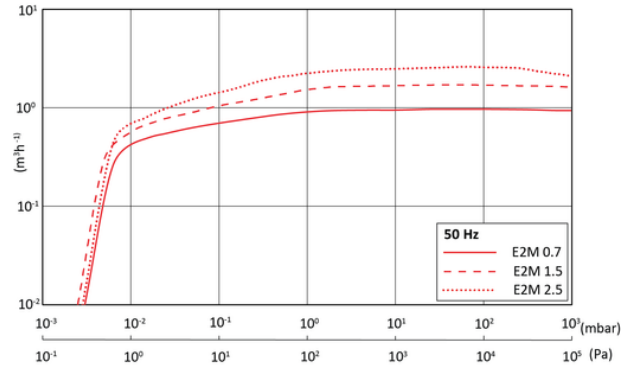
Vacuum data	Hz	Unit	E2M0.7	E2M1.5	E2M2.5
Peak pumping speed	50	m ³ h ⁻¹	0.75	1.6	2.5
	60	cfm	0.5	1.2	1.8
Ultimate pressure w/o gas ballast	50	mbar	3.0x10 ⁻³	1.5x10 ⁻³	3.0x10 ⁻³
	60	Torr	2.3x10 ⁻³	1.1x10 ⁻³	2.3x10 ⁻³
Ultimate pressure with gas ballast	50	mbar	2.5x10 ⁻²		
	60	Torr	1.9x10 ⁻²		
Water vapour tolerance	n/a	mbar	15	15	15
	n/a	Torr	11	11	11
Water vapour capacity	n/a	g/h	8	16	16

Motor data	Hz	Unit	E2M0.7	E2M1.5	E2M2.5
Mechanical power	50	kW	0.09	0.16	0.16
	60	kW	0.09	0.16	0.16
Nominal rotation speed	50	rpm	1400	2800	2800
	60	rpm	1700	3400	3400
Power connector (1)	n/a	n/a	IEC EN60320 C13		

Physical data	Unit	E2M0.7	E2M1.5	E2M2.5
Weight	lb	22	22	22
	kg	10	10	10
Oil type (recommended)		Ultragrade performance 15		
Oil type (max.)	litre	0.32		
Oil type (min.)	litre	0.2		

(1) pumps listed with IEC connector only

PERFORMANCE

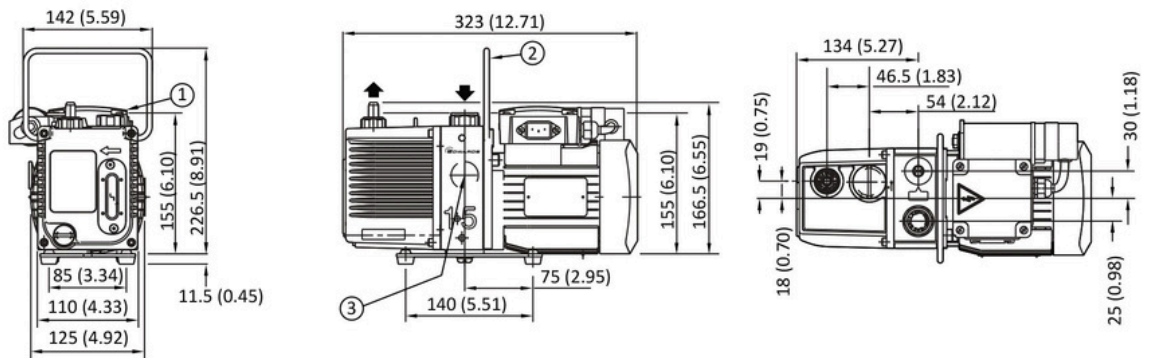


DIMENSIONS

- 1 100-120 V motor version shown*
- 2 Handle (can be removed)
- 3 Alternative inlet port position

All measurements indicated are shown in mm (inches)

*High Volts also available with smaller capacitor



Publication Number: 3601 0714 01
 © Edwards Limited 2024. All rights reserved.
 Edwards and the Edwards logo are trademarks of Edwards Limited.

Whilst we make every effort to ensure that we accurately describe our products and services, we give no guarantee as to the accuracy or completeness of any information provided in this datasheet.

Edwards Ltd, registered in England and Wales
 No. 6124750, registered office: Innovation Drive,
 Burgess Hill, West Sussex, RH15 9TW, UK.

