

# nEDC300 NEXT-GENERATION DRY CLAW VACUUM PUMP

edwardsvacuum.com

Harsh industrial applications require a pump that can withstand rough operational conditions. The nEDC300 - Edwards latest generation dry claw vacuum pump ensures reliable operations, easy maintenance, and a low cost of ownership. Robust, efficient, and built to the exacting standards and quality demanded by our customers, Edwards nEDC300 dry claw vacuum pump provides you with a trouble-free and cost-effective solution to meet your needs.

## NEXT-GENERATION FEATURES



### Enhanced performance

Modular design ensures efficiency during the operational lifecycle. You are ensured of improved performance for your process due to higher pumping speeds.



### Reliable and long-lasting

Lower internal temperatures increase lip seal life and prevents oil leaks.



### Lower noise levels

Re-designed and in-house developed silencer significantly reduces noise levels.



### Easy to maintain

In addition to Edwards field service, the nEDC claw pump can be easily cleaned on-site and re-started by customers without the need for specialized tools.



## APPLICATIONS

- Steam sterilisation
- Plastic extrusion
- Wood working
- Vacuum conveying
- Pick and place
- Water and sewage handling
- Printing and paper converting
- Medical systems
- Dairy industry (Milking and milk transfer)
- Thermoforming
- Waste removal

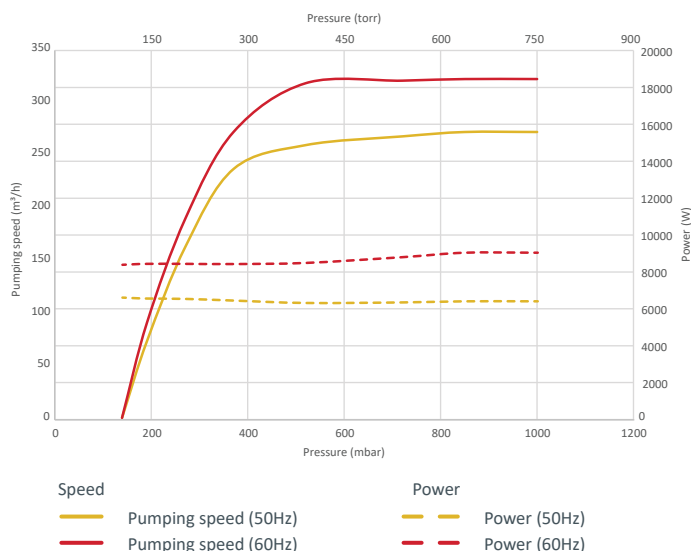


To know more about the complete EDC series range of vacuum pumps, please scan the QR code.

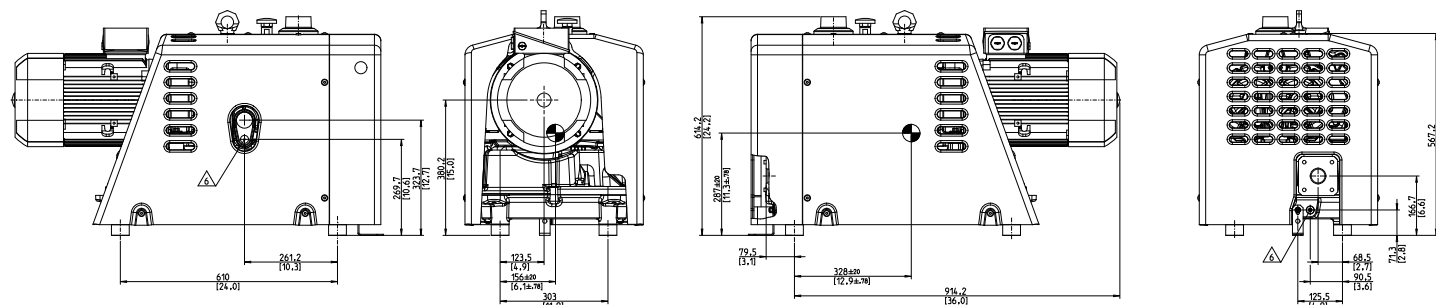
TECHNICAL DATA

|                     |                            | Unit                                 | nEDC300               |
|---------------------|----------------------------|--------------------------------------|-----------------------|
| Performance         | Peak pumping speed (60Hz)  | m <sup>3</sup> h <sup>-1</sup> / cfm | 360 / 208             |
|                     | Peak pumping speed (50Hz)  | m <sup>3</sup> h <sup>-1</sup> / cfm | 300 / 176             |
|                     | Ultimate vacuum continuous | mbar / torr                          | 140 / 105             |
| Nominal motor power | @ 60Hz                     | kW / hp                              | 7.5 / 10.0            |
|                     | @ 50Hz                     | kW / hp                              | 6.2 / 8.3             |
|                     | @ RPM                      | 60Hz / 50Hz                          | 3600 / 3000           |
| Vacuum connections  | Inlet/ Outlet connection   | Flange                               | G 2 - G 1 1/4" or NPT |
| Dimensions          | W x H x L (60Hz)           | mm                                   | 501 x 614 x 1036      |
|                     | W x H x L (50Hz)           | mm                                   |                       |
| Operating data      | Voltage available          | V                                    | 200/230/380/460/575   |
|                     | Noise (60Hz / 50Hz)        | dB(A)                                | 75 / 72               |
|                     | Operating temperature      | °C / °F                              | 0 to 40 / 32 to 104   |
|                     | Oil capacity (Gear box)    | l / gal                              | 1.5 / 0.30            |

PERFORMANCE CURVES



DIMENSIONS



ORDERING INFORMATION

| Part Number | Product Description              |
|-------------|----------------------------------|
| A50877120   | nEDC300 380V 60Hz 3Ph IEC        |
| A50877220   | nEDC300 400V 50Hz 3Ph IEC        |
| A50877620   | nEDC300 230/460V 60Hz 3Ph UL/cUL |
| A50877020   | nEDC300 200/230V 50Hz 3Ph IEC    |

| Part Number | Product Description                     |
|-------------|---|
| A50877320   | nEDC300 500/575V 50/60Hz 3Ph IEC-UL/cUL |
| A50877021   | nEDC300 Bareshaft 50Hz                  |
| A50877022   | nEDC300 Bareshaft 60Hz                  |

Publication Number: 3602 1063 01  
 © Edwards Limited 08.2023. All rights reserved  
 Edwards and the Edwards logo are trademarks of Edwards Limited

Whilst we make every effort to ensure that we accurately describe our products and services, we give no guarantee as to the accuracy or completeness of any information provided in this datasheet.

Edwards Ltd, registered in England and Wales  
 No. 6124750, registered Office: Innovation Drive,  
 Burgess Hill, West Sussex, RH15 9TW, UK.

