

APG100 ACTIVE PIRANI GAUGE

edwardsvacuum.com

Edwards APG100 series Active Pirani vacuum gauges are available in 2 models. The APG100-XM is the standard model and measures to 10^{-3} mbar, the APG100-XLC is a corrosion resistant version with measurement to 10^{-4} mbar.

Both gauges feature compact size for easy installation, a linear output and a replaceable sensor tube. These gauges are compatible with all Edwards TIC instrument controllers and other Active gauge controllers and displays. They are also CSA, C/US approved as well as fully RoHS compliant due to their lead-free construction.



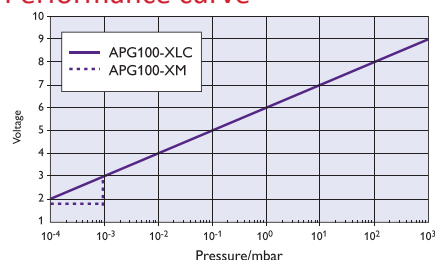
Features and benefits

- Cable connections and gauge adjustment conveniently located, thereby minimising the space envelope required for access
- Sensor tube can be baked to 150 °C
- Adjustable set-point for simple process control and interlocking
- CSA, C/US Approved
 - Meets safety requirements for electrical equipment for measurement
- Linear output - 1 Volt per decade for easy interface with vacuum control systems
- NW16, NW25 and DN16CF flange options for easy connection to vacuum systems
- LED status indicator shows normal and fault conditions
- Remote calibration possible

Technical data

Mass	
NW16 version	85 g
NW25 version	100 g
Internal volume	5 cm ³
Enclosure rating	IP40
Performance, operating and storage conditions	
Measurement range	
APG100-XM	Atmosphere to 10 ⁻³ mbar
APG100-XLC	Atmosphere to 10 ⁻⁴ mbar
Accuracy	
APG100-XM	Typically +/- 15% at <100 mbar
APGX100-XLC	Typically +/- 15% at <10 mbar
Maximum over-pressure	
10 bar absolute	
Temperature range	
Operating	5 to 60 °C
Storage	-30 to 70 °C
Bake-out with electronics removed	150 °C
Humidity	
80% RH up to 31 °C decreasing linearly to 50% RH at 40 °C and above	
Maximum altitude	
3000 m	
Filament temperature	
100 °C above ambient	
Electrical data	
Electrical supply voltage	
15 to 30 V d.c. nominal	
13.5 V d.c. minimum	
32 V d.c. maximum	
Power consumption	
1 W	
Output signal	
0 to 10 V d.c. nominal	
Set-point – open collector transistor	
Rating	30 V d.c. 100 mA
Range of set-point	1.8 to 9.2 V d.c.
Fixed hysteresis	500 mV (1/2 decade)
Level setting resolution	6 mV

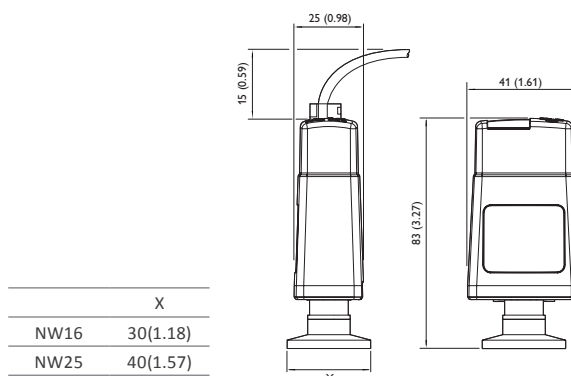
Performance curve



Ordering information

Active Pirani gauges	Order number
APG100-XM Atm to 10 ⁻³ mbar NW16 flange	D02601000
APG100-XM Atm to 10 ⁻³ mbar NW25 flange	D02602000
APG100-XM Atm to 10 ⁻³ mbar DN16CF flange	NRD710000
APG100-XLC Atm to 10 ⁻⁴ mbar corrosion resistant NW16 flange	D02603000
APG100-XLC Atm to 10 ⁻⁴ mbar corrosion resistant NW25 flange	D02604000
Certified gauges. Supplied with a certificate of calibration traceable to national standards	
APG100-XM NW16 + Calibration certificate	D0260100C
APG100-XM NW25 + Calibration certificate	D0260200C
APG100-XLC NW16 + Calibration certificate	D0260300C
APG100-XLC NW25 + Calibration certificate	D0260400C
Spare sensor tubes	
Spare sensor for APG100-XM NW16 flange	D02601801
Spare sensor for APG100-XM NW25 flange	D02602801
Spare sensor for APG100-XLC NW16 flange	D02603801
Spare sensor for APG100-XLC NW25 flange	D02604801
Spare sensor for APF100-XM DN16CF flange	NRD711000
Spare sensor for APF100-XLC DN16CF flange	NRD713000
Spare electronic modules	
Spare APG100-XM electronics module	D02601800
Spare APG100-XLC electronics module	D02603800
Spare mesh filter for APG100 pack of 5	D02601805

Dimensions - mm (inch)



GLOBAL CONTACTS

Publication Number: 3601 0126 01
 © Edwards Limited 2016. All rights reserved Edwards and the Edwards logo are trademarks of Edwards Limited

Whilst we make every effort to ensure that we accurately describe our products and services, we give no guarantee as to the accuracy or completeness of any information provided in this datasheet.

Edwards Ltd, registered in England and Wales
 No. 6124750, registered office: Innovation Drive, Burgess Hill, West Sussex, RH15 9TW, UK.

EMEA

UK +44 1444 253 000
 (local rate) 08459 212223

Belgium +32 2 300 0730

France +33 1 4121 1256

Germany 0800 000 1456

Italy + 39 02 48 4471

Israel + 972 8 681 0633

ASIA PACIFIC

China +86 400 111 9618

India +91 20 4075 2222

Japan +81 47 458 8836

Korea +82 31 716 7070

Singapore +65 6546 8408

Taiwan +886 3758 1000

AMERICAS

USA +1 800 848 9800

Brazil +55 11 3952 5000

