

# nXRi HIGH PERFORMANCE COMPACT DRY VACUUM PUMP

MADE TO PERFORM

 **EDWARDS**



# BIG ON PERFORMANCE...

## nXRi HIGH PERFORMANCE COMPACT DRY VACUUM PUMP

### When performance matters

Edwards has revolutionised the vacuum pump market with the new nXRi high performance, compact dry pump. It delivers unrivalled pumping speeds in the most compact package, with pumping speeds of 60 and 90 m<sup>3</sup>h<sup>-1</sup>. The nXRi's lower input power and zero maintenance create real performance improvements and cost benefits across a range of applications.

Analytical Instrument OEMs benefit from the ease of integration into most vacuum systems for a ready to go vacuum solution, perfect for mass spectrometry, electron microscopy and leak detection.

R&D and Industrial customers will enjoy the design flexibility, oil-free and low maintenance features.



### Compact footprint Optimise your space!

Designed with size in mind, the compact footprint and height allow the nXRi dry pump to fit easily under a benchtop saving valuable space in your laboratory; and at under 30kg offers a highly portable vacuum pump for changing work flows and environments.

### Energy efficiency Reduce your costs!

For reduced power consumption look no further than the Edwards nXRi dry pump, optimised to low power for lower energy costs and reduced heat load from your vacuum equipment.



# COMPACT IN SIZE



## Unrivalled performance When you need it!

When performance matters look no further than the nXRi dry pump, with pumping speed performance of 60 and 90 m<sup>3</sup>h<sup>-1</sup> from our most compact footprint. It delivers four times more pumping speed than similar sized dry pumps, and with low ultimate and high reliability you are assured a consistent and stable vacuum for years to come.

## Zero contamination Experience the difference!

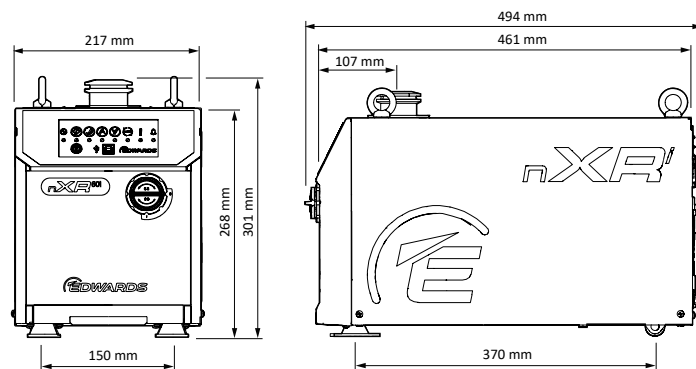
Clean processes and clean results are guaranteed with the nXRi compact dry pump, being totally oil-free and dust-free within the vacuum chamber. Being free of oil, smells and particulates guarantees a more pleasant working environment.



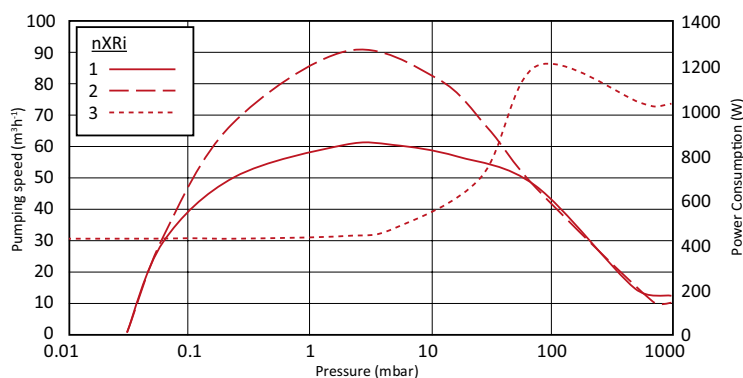
## TECHNICAL SPECIFICATION

<b>Peak pumping speed</b>	
nXR60i	60 m <sup>3</sup> h <sup>-1</sup>
nXR90i	90 m <sup>3</sup> h <sup>-1</sup>
<b>Ultimate vacuum (total pressure)</b> 0.03 mbar (0.022 Torr)	
<b>Inlet flange</b> NW40	
<b>Outlet flange</b> NW25	
<b>Maximum permitted outlet pressure</b>	
nXR60i	0.2 bar gauge
nXR90i	0.2 bar gauge
<b>Operating temperature range</b> +5 to +40°C (+41 to +104°F)	
<b>Nominal rotational speed</b> 15000 rpm	
<b>Voltage input</b> 100-127/200-240 V (+/-10%), switchable	
<b>Mains frequency</b> 50/60 Hz	
<b>Power connector 1-ph</b> IEC EN60320 C19	
<b>Power at ultimate</b> 450 W	
<b>Leak tightness</b> < 1x10 <sup>-6</sup> mbar ls <sup>-1</sup>	
<b>Weight</b> 29 kg (64 lb)	
<b>Noise at ultimate vacuum</b> 55 dB(A)	
<b>Vibration at inlet flange</b> < 2.0 mm/s	

## DIMENSIONS



nXR60i/nXR90i pumping speed/pressure



1. Pumping speed nXR60i 2. Pumping speed nXR90i 3. Power Consumption (W)

## ORDERING INFORMATION

Product description	Order number
nXR60i NW40 Multi Stage Roots Dry Pump 100-127/200-240 V, 50/60 Hz	A90502983
nXR90i NW40 Multi Stage Roots Dry Pump 100-127/200-240 V, 50/60 Hz	A90602983

## ACCESSORIES

Product description	Order number
2m electrical supply cable, NEMA 5-15P, North America/Japan (100-120 V)	A50507003
2m electrical supply cable, NEMA 6-15P, North America (200-240 V)	A50507006
2m electrical supply cable, UK, three pin plug	A50505003
2m electrical supply cable, Europe	A50506003
2m electrical supply cable, China	A50509003
Gas ballast blank plug	A73501806
Gas ballast adaptor for inert gas (1/4" quick connect)	A73501811
Floor/cart mounting kit	A90590001

Publication Number: 3601 0590 01

© Edwards Limited 2020. All rights reserved.  
Edwards and the Edwards logo are trademarks of  
Edwards Limited.

Whilst we make every effort to ensure that we  
accurately describe our products and services, we give  
no guarantee as to the accuracy or completeness of any  
information provided in this datasheet.

Edwards Ltd, registered in England and Wales No.  
6124750, registered office: Innovation Drive,  
Burgess Hill, West Sussex, RH15 9TW, UK.

Part of the Atlas Copco Group

## GLOBAL CONTACTS

### EMEA

<b>UK</b>	+44 (0) 1444 253 000 (local rate) 0845 921 2223
<b>Belgium</b>	+44 1293 60 3350
<b>France</b>	+33 1 4121 1256
<b>Germany</b>	0800 000 1456
<b>Italy</b>	+39 02 48 4471
<b>Israel</b>	+972 8 681 0633
<b>Russia</b>	+7 495 933 55 50 Ext. 1800/1803 +8 800 775 80 99

### ASIA PACIFIC

<b>China</b>	+86 400 111 9618
<b>India</b>	+91 20 4075 2222
<b>Japan</b>	+81 47 458 8836
<b>Korea</b>	+82 31 716 7070
<b>Singapore</b>	+65 6546 8408
<b>Taiwan</b>	+886 3758 1000

### AMERICAS

<b>USA</b>	+1 800 848 9800
<b>Brazil</b>	+55 11 3952 5000