

TURBOMOLECULAR PUMPING STATIONS

 **EDWARDS**



DEDICATED TO SCIENCE

Complete vacuum solutions for laboratory and R&D applications.

At Edwards we have a deep understanding of research processes and the role that vacuum plays at every stage. This experience, coupled with innovative technologies and collaborative engineering, enables us to offer a comprehensive range of vacuum solutions that enhance performance across a broad range of scientific applications.

From the smallest school laboratory, to international R&D projects, our products and application know-how are facilitating educational development and scientific evolution across the globe.

This brochure contains the most common Edwards products used in a typical R&D or laboratory facility. There are many more products available via our product catalogue, website or by contacting your local sales representative.

Station
300
EDWARDS

ERIC

CONTENTS

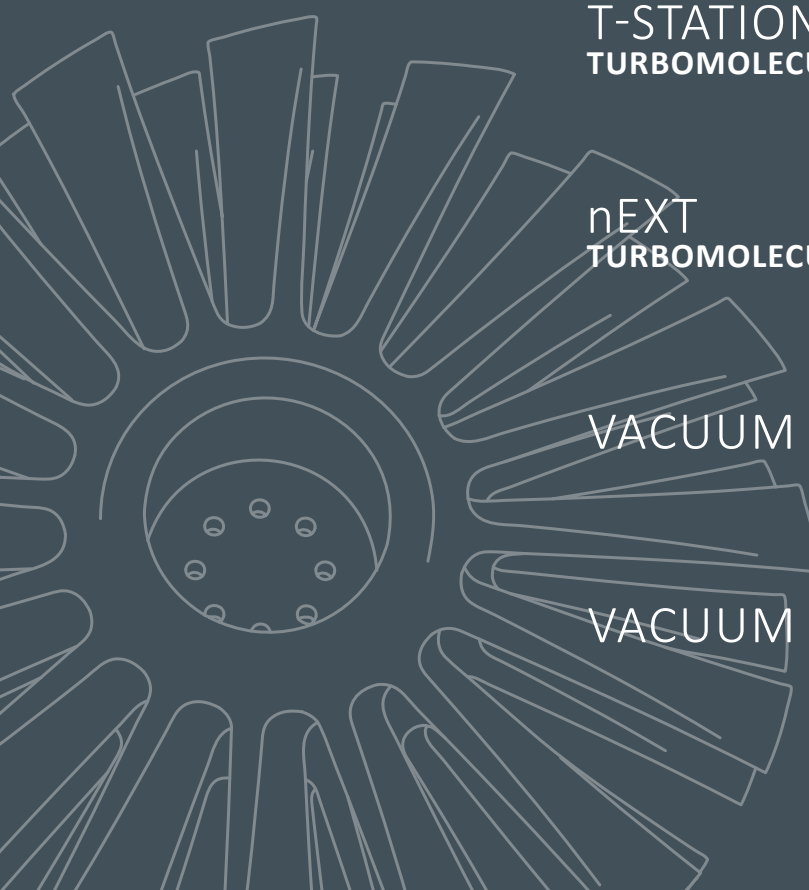
T-STATION 85
TURBOMOLECULAR PUMPING STATION | 04

T-STATION 300
TURBOMOLECULAR PUMPING STATION | 07

nEXT
TURBOMOLECULAR PUMPING STATION | 10

VACUUM MEASUREMENT | 12

VACUUM COMPONENTS | 14



TURBOMOLECULAR PUMPING STATIONS

FLEXIBLE, COMPACT AND END USER SERVICEABLE

The Edwards turbomolecular pumping stations are a comprehensive range of products providing versatile vacuum solutions in many different applications. All our nEXT turbomolecular pumping stations are supplied fully assembled and ready to run straight out of the box with nEXT turbomolecular pumps and backing pumps that are user serviceable.

There are 3 models in the turbomolecular pumping stations range the entry level T-Station 85 and the higher capacity T-Station 300 and the more sophisticated nEXT Turbomolecular pumping station also referred to as the TIC turbo cart. With this range of pumping solutions there will surely be one that addresses your vacuum requirements.



T-STATION 85 TURBOMOLECULAR PUMPING STATION

T-Station 85 is a low cost, compact turbomolecular pumping station that seamlessly combines the nEXT85H turbomolecular pump with either a dry diaphragm or oil sealed backing pump, and a simple controller, providing pumping speeds of 47 to 84 ls^{-1} .

The T-Station 85 comes with an integrated turbo and active gauge controller which enables single button start/stop of the system. This is combined with the ability to control one of our active gauges, vent valve control and delayed start of the turbomolecular pump to either time or pressure if a gauge is fitted, making the T-Station 85 ideal for general laboratory needs.



Plug and pump
No systemisation required



Robust construction
Low cost of ownership



FEATURES AND BENEFITS

- Base plate includes rubber feet and cut-outs in the sides for manual handling, giving a compact low profile but stable design that can't be knocked over.
- All metal frame means rugged design that can take abuse without cracking or breaking.
- E2M1.5 or XDD1 high capacity backing pumps giving the choice between an oil sealed pump or a totally dry diaphragm pump.
- Integrated air cooler acts to cool internal power supply and pump/controller for quiet operation avoiding multiple fans.
- Customer integrated control features:
 - Single dedicated button to start/stop.
 - Easy to read accuracy display.
 - Ability to select vent mode where a TAV5 vent valve is fitted for automated venting with no user intervention.
- Available with either an NW40, ISO63 or CF63 inlet flange to suit your application.
- User serviceable nEXT85H turbomolecular pump.



TECHNICAL DATA

Pumping speed for N₂	
NW40	47 ls ⁻¹
ISO/CF63	84 ls ⁻¹
Compression ratio for N₂	
	>1 x 10 ¹¹
Backing pump speed @50 Hz	
E2M1.5 (TS85H Wet)	1.6 m ³ h ⁻¹
XDD1 (TS85H Dry)	1.2 m ³ h ⁻¹
Ultimate vacuum	
	<5 x 10 ⁻¹⁰ mbar*
Inlet flange	
	NW40, ISO63 or CF63
Exhaust flange	
E2M1.5 (TS85H Wet)	11mm OD nozzle or 3/8" BSP
XDD1 (TS85H Dry)	Fitted silencer or 1/8" BSP
Mass	
E2M1.5 system (TS85H Wet)	21kg max
XDD1 system (TS85H Dry)	18kg max
Noise level	
	≤56 dB(A)
Leak tightness	
	<1 x 10 ⁻⁶ mbar ls ⁻¹
Operating temperature range	
	12 to 40 °C



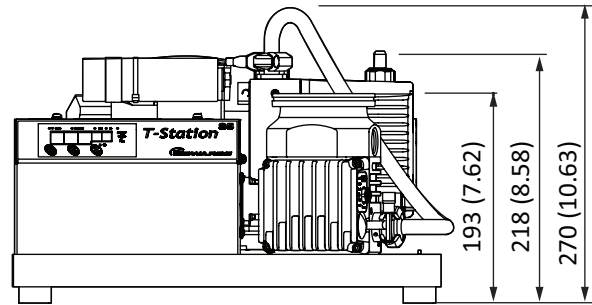
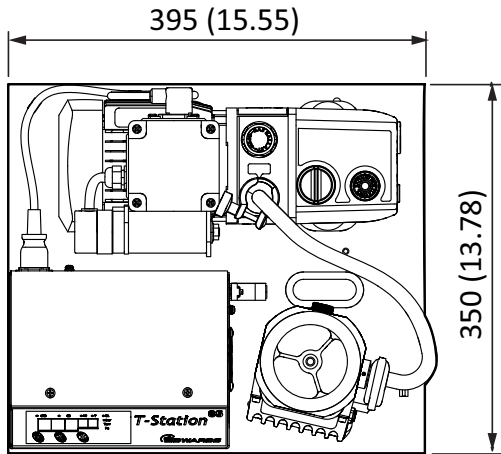
*T-Station 85H Wet CF63

ORDERING INFORMATION

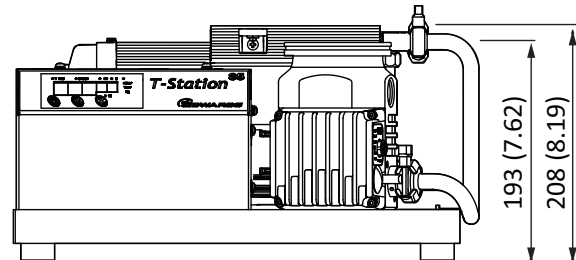
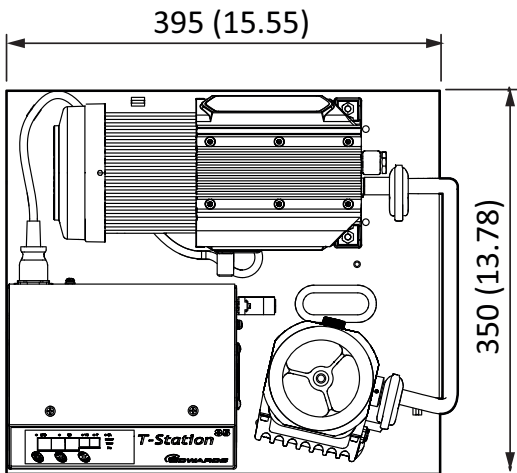
Product description	Order number
T-Station 85H Wet NW40 200-240V	TS85W1001
T-Station 85H Wet ISO63 200-240V	TS85W2001
T-Station 85H Wet CF63 200-240V	TS85W3001
T-Station 85H Dry NW40 200-240V	TS85D1001
T-Station 85H Dry ISO63 200-240V	TS85D2001
T-Station 85H Dry CF63 200-240V	TS85D3001
T-Station 85H Wet NW40 100-120V	TS85W1002
T-Station 85H Wet ISO63 100-120V	TS85W2002
T-Station 85H Wet CF63 100-120V	TS85W3002
T-Station 85H Dry NW40 100-120V	TS85D1002
T-Station 85H Dry ISO63 100-120V	TS85D2002
T-Station 85H Dry CF63 100-120V	TS85D3002
Model EMF3 mist filter for E2M1.5 pump	A46220000
N/C TAV5 vent valve connector fitted	B8G200835
N/O TAV5 vent valve connector fitted	B8G200834
2m electrical supply cable UK plug 10A	A50505000
2m electrical supply cable North European plug	A50506000
2m electrical supply cable USA/Japan plug	A50507000
2m electrical supply cable no plug	A50508000
APG100-XLC active pirani gauge NW16	D02603000
APGX-H active linear convection gauge NW16	D02391000
AIM-X active inverted magnetron gauge NW25	D14642000
WRG-S active wide range gauge NW25	D14701000
0.5m active gauge cable	D40001005
1m active gauge cable	D40001010

DIMENSIONS

T-Station 85H Wet with E2M1.5 backing pump



T-Station 85H Dry with XDD1 backing pump



T-STATION 300 TURBOMOLECULAR PUMPING STATION

Edwards T-Station 300 turbomolecular pumping station builds on the existing popular T-Station 85 platform, by replacing the nEXT85H turbomolecular pump with the nEXT300 turbomolecular pump we have extended our portfolio and are providing a solution for customers and applications that require a higher pumping speed up to 300 ls^{-1} .

T-Station 300 is a cost effective, compact and modular pumping station, combining the nEXT300 turbomolecular pump with either the dry XDD1 diaphragm pump or the E2M1.5 oil-sealed rotary vane pump.

With an integrated turbo and active gauge controller that enables single start/stop control giving the choice of pumping speed, extending the performance envelope for the R&D sector.



Higher pumping speed



End user serviceable



FEATURES AND BENEFITS

- **Higher pumping speeds**
Providing a solution for customers and applications that require higher pumping speeds up to 300 ls^{-1} .
- **Cost efficient pumping package**
Cost effective, compact and modular.
- **Plug and pump**
Simple user-friendly plug and pump solution with no systemisation and no additional air cooling required, supplied fully assembled and ready to go for quick and easy operation.
- **Robust construction**
Designed to be compact with a low profile, the all metal frame is able to withstand abuse without cracking or breaking and the base plate comes with rubber feet for extra stability.
- **Easy serviceability**
Easy user serviceable pumps make this great for low cost of ownership.

TECHNICAL DATA

Pumping speed for N₂	
ISO100	300 l/s
CF100	300 l/s
Compression ratio for N₂	
ISO100	>1 x 10 ¹¹
CF100	>1 x 10 ¹¹
Backing pump speed @50 Hz	
E2M1.5	1.6 m ³ /h
XDD1	1.2 m ³ /h
Ultimate vacuum	
ISO100	<6x10 ⁻⁸ mbar
CF100	<5x10 ⁻¹⁰ mbar
Exhaust flange	
E2M1.5	11 mm OD nozzle or 3/8" BSP
XDD1	Fitted silencer or 1/8" BSP
Mass	
TS300 ISO100 E2M1.5	26 kg
TS300 CF100 E2M1.5	29 kg
TS300 ISO100 XDD1	22 kg
TS300 CF100 XDD1	25 kg
Noise level	<56 db(A) ± 3dB(A) Declared dual number noise emission values in accordance with ISO4871
Leak tightness	<1x10 ⁶ mbar l/s
Operating temperature range	
TS300 E2M1.5	+12 to +40 °C
TS300 XDD1	+5 to +35 °C

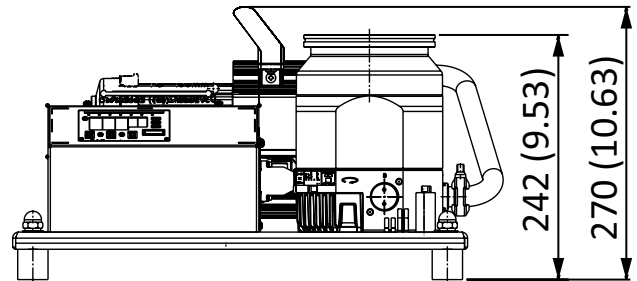
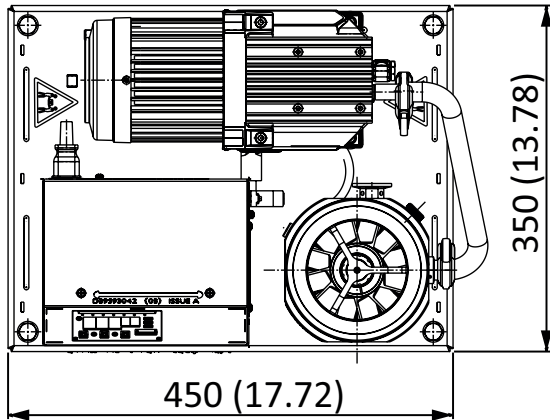


ORDERING INFORMATION

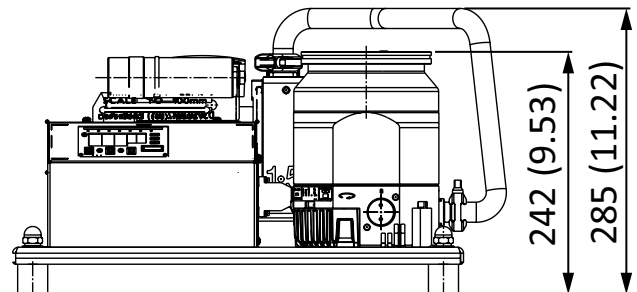
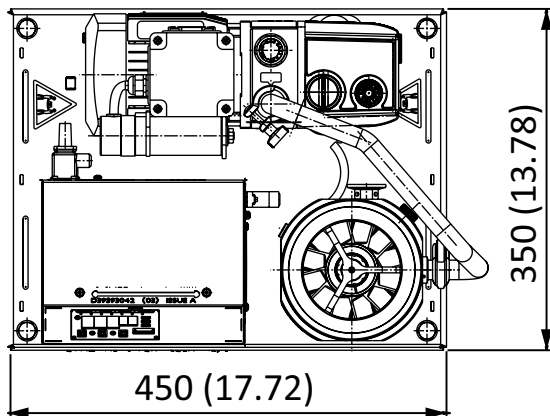
Product description	Order number
T-Station 300D Dry ISO100 200-240V	TS300D4001
T-Station 300D Dry ISO100 100-120V	TS300D4002
T-Station 300D Dry CF100 200-240V	TS300D5001
T-Station 300D Dry CF100 100-120V	TS300D5002
T-Station 300D Wet ISO100 200-240V	TS300W4001
T-Station 300D Wet ISO100 100-120V	TS300W4002
T-Station 300D Wet CF100 200-240V	TS300W5001
T-Station 300D Wet CF100 100-120V	TS300W5002
Model EMF3 mist filter for E2M1.5 pump	A46220000
N/C TAV5 vent valve connector fitted	B8G200835
N/O TAV5 vent valve connector fitted	B8G200834
2m electrical supply cable UK plug 10A	A50505000
2m electrical supply cable North European plug	A50506000
2m electrical supply cable USA/Japan plug	A50507000
2m electrical supply cable no plug	A50508000
APG100-XLC active pirani gauge NW16	D02603000
APGX-H active linear convection gauge NW16	D02391000
AIM-X active inverted magnetron gauge NW25	D14642000
WRG-S active wide range gauge NW25	D14701000
0.5m active gauge cable	D40001005
1m active gauge cable	D40001010

DIMENSIONS

T-Station 300 Dry with XDD1 backing pump



T-Station 300 Wet with E2M1.5 backing pump



nEXT TURBOMOLECULAR PUMPING STATION

nEXT turbomolecular pumping stations are configurable with turbomolecular pump speeds ranging from 47 to 400 ls^{-1} and a choice of oil sealed or dry backing pumps ranging from 1 to 20 m^3h^{-1} . All our nEXT turbomolecular pumping stations feature an integrated TIC turbo and instrument controller offering full control of the package via a simple intuitive interface.

The nEXT turbomolecular pumping stations are supplied fully assembled and ready to run straight out of the box and include common accessories such as mist filters and mains cables as appropriate to the chosen pumps. As fully featured high end stations they include RS232 serial communications and Windows® software for monitoring and control.



Low cost of ownership



Configurable/full control



FEATURES AND BENEFITS

- Our range of turbomolecular pump options include choice of turbomolecular pump with speeds ranging from 47 to 400 ls^{-1} and inlet flanges from DN40 to DN160.
- These pumps are fully controllable. TIC turbo and instrument controller offers full control of pumps and up to 3 active gauges as well as offering full serial remote communications.
- Our pumps have vent valve option. Optional turbomolecular pump vent valve can be ordered as part of cart assembly.
- All nEXT turbomolecular pumps and backing pumps are fully user serviceable.
- All metal frame with locking castors for a robust but easily mobile system. Bench mounting kit included for safe bench top operation.
- We also offer choice of backing pumps. Choice of oil sealed and dry backing pumps with capacities ranging from 1 to 20 m^3h^{-1} .
- Backing pump mounted on anti-vibration mounts for low levels of transmitted vibration.

'PLUG AND PLAY' TURBOMOLECULAR PUMPING STATION

Everything about our range of nEXT turbomolecular pumping stations has been developed to provide a comprehensive vacuum solution with the latest technological advances for easy installation and operation. A simplified ordering matrix and expanded range, to include turbopumps with speeds from 42 ls⁻¹ to 400 ls⁻¹, enables you to select the most appropriate combination for your application, fully assembled and ready to go.

1

CHOOSE YOUR TURBOPUMP



nEXT85 (84 ls⁻¹)



nEXT240 (240 ls⁻¹)



nEXT300 (300 ls⁻¹)



nEXT400 (400 ls⁻¹)

2

CHOOSE YOUR BACKING PUMP



E2M1.5 (1.6 m³h⁻¹)



XDD1 (1.2 m³h⁻¹)



RV5 (5.1 m³h⁻¹)



nXDS



RV12 (12.0 m³h⁻¹)

nXDS6i (6.2 m³h⁻¹)
nXDS10i (11.4 m³h⁻¹)
nXDS15i (15.1 m³h⁻¹)
nXDS20i (22.0 m³h⁻¹)

3

SELECT YOUR VOLTAGE



ORDERING INFORMATION

nEXT turbomolecular pumping station:

T S - - 0 0

Turbomolecular pump

- B nEXT240
- C nEXT300
- D nEXT400
- E nEXT240T
- F nEXT300T
- G nEXT400T
- J nEXT85D
- K nEXT85H

Inlet flange

- 1 DN40NW (nEXT85)
- 2 DN63ISO-K (nEXT85)
- 3 DN63CF (nEXT85)
- 4 DN100ISO-K (nEXT240/300)
- 5 DN100CF (nEXT240/300)
- 6 DN160ISO-K (nEXT400)
- 7 DN160CF (nEXT400)

Backing pump

- 1 E2M1.5
- 2 RV5
- 3 RV12
- A XDD1
- D nXDS6i
- E nXDS10i
- F nXDS15i
- G nXDS20i

Vent option

- 0 Manual Vent
- 1 TAV5 Vent Valve

Electrical supply

- 1 220-240 V 50/60 Hz (Europe)
- 2 110-120 V 50/60 Hz (USA)
- 3 200 V 50/60 Hz (Japan)
- 4 220-240 V 50/60 Hz (UK)

‡ For Japan low volts on E2M1.5 please order the USA voltage variant, for all other pumps please order Japan version and specify low volts on your order

VACUUM MEASUREMENT

Edwards offers a complete range of active and digital gauges covering pressures from atmospheric to 5×10^{-10} mbar. Each type has its own benefits making them suitable for different applications. The below should give some guidance as to which may be more suited to your application:

ACTIVE

Active gauges are complete self-contained head and driver electronics in a compact unit. These gauges typically need 24Vdc and then provide a 0-10V output that relates to the pressure. This output can be S-shaped or linear depending on the chosen unit. The benefits of active gauges are:

- Low power surface mount integrated circuit electronics used for a compact unit.
- Long flexible cables can be used as they only contain a drive voltage and high voltage output signals rather than low voltage signals that could be prone to interference.
- Non-specific controllers eg TIC and ADC can be used that can control multiple gauges without needing to specify exact gauges to use at time of ordering.



PRESSURE RANGE TABLE

10^{-12}	10^{-11}	10^{-10}	10^{-9}	10^{-8}	10^{-7}	10^{-6}	10^{-5}	10^{-4}	10^{-3}	10^{-2}	10^{-1}	1	10	10^2	10^3
Ultra High Vacuum			High Vacuum				Medium Vacuum				Rough Vacuum				
									APG200-XM - active pirani gauge						
									APG200-XLC - active pirani gauge						
									APG-XH - active linear convection gauge						
			WRG - wide range gauge												
			AIM - active inverted magnetron gauge												
		AIGX - active ion gauge													
									nAPG digital active pirani gauge						
									nWRG digital wide range gauge						
			nAIM digital active inverted magnetron gauge												

Indicates the primary accuracy range for the specified gauge.
 Indicates pressure range where the gauge can be used but will not provide accurate readings.

DIGITAL

Digital gauges are similar to active in that they are self-contained including driving electronics, however they take this one step further and eliminate the need for a separate controller. The digital gauges simply need a supply voltage in the range of 15 to 48Vdc and then are serial comms enabled, so can be directly interrogated via a PC or PLC using either RS232 or RS485 communications. The benefits are:

- Elimination of an external controller reduces overall costs, where serial communications can be used.
- Units are compact and efficient due to the use of low power surface mount integrated circuit electronics.
- Long standard flexible serial cables can be used (although an external power supply will be required).



VACUUM COMPONENTS AND FLANGE FITTINGS

When you buy vacuum pump components from Edwards, you can expect the quality and service that only a leading international supplier can provide. We understand that flanges and fittings are critical to the performance of your vacuum system, and supply only high quality products which meet the highest specification.

Convenience of supply:

Single source supplier, able to provide the complete system solution either online or via local supply centres.

High quality and reliability:

Precision material control ensures a dependable vacuum performance on sensitive or demanding applications.

Comprehensive choice:

Complete range for all common flange sizes in aluminium and stainless steel.

NW FLANGE ASSEMBLY

NW fittings, otherwise known as ISO-KF, are the industry standard for many applications in the low to high vacuum range. They are ideal for achieving dependable cost effective performance down to 10^{-7} mbar across a range of applications from light to harsh duty. A simple fastening method means that systems can be easily assembled and a leak tight vacuum seal is quickly achieved.

- Manufactured to ISO 2861 and DIN 28403 standards
- Nominal diameters 10 mm to 50 mm
- Use with either elastomer or formed aluminium seals
- Choice of clamp type depending on application, access, convenience and cost
- For use in high-vacuum applications: pressures $>10^{-7}$ mbar

This brochure details our most popular flange components and valves. Please refer to our full Product Catalogue or visit www.edwardsvacuum.com for a complete list if there are any components which are not listed here.

VACUUM COMPONENTS AND HARDWARE FLANGE FITTINGS

TECHNICAL DATA

Operating pressure range (absolute)	Minimum	Maximum
Products are designed for vacuum applications however some will withstand a small over-pressure, this is indicated in the table below where appropriate		
"C" clamp and centring ring	10 ⁻⁷ mbar	1 bar
Stainless steel clamping ring and Co-seal	10 ⁻⁷ mbar	10 bar
Stainless steel clamp and metal seal	10 ⁻⁸ mbar	3 bar
Stainless steel clamp and Co-seal (all sizes)	10 ⁻⁷ mbar	10 bar
Polymer and aluminium clamps and Co-seal	10 ⁻⁷ mbar	10 bar
NW10 to NW25	10 ⁻⁷ mbar	10 bar
NW40 to NW50	10 ⁻⁷ mbar	10 bar
NW trapped O ring	10 ⁻⁷ mbar	10 bar
ISO trapped O ring	10 ⁻⁷ mbar	1 bar
O ring and centring ring (vacuum use only)	10 ⁻⁷ mbar	1 bar
Bellows	10 ⁻⁷ mbar	1 bar
Flexible pipelines ⁽¹⁾	10 ⁻⁷ mbar	1.5 bar
Braided flexible pipelines ⁽¹⁾	10 ⁻⁷ mbar	10 bar

⁽¹⁾ Depends on size

Stainless steel equivalents		
AISI number	DIN standard	Composition
304L	1.4306	X2 CrNi 19 10
316L	1.4404	X2 CrNiMo 17 13 2

CHEMICAL RESISTANCE

Material	Generally resistant to:	Generally attacked by:
Nitrile Butadiene acrylonitrile copolymer	Many hydrocarbons fats, oils greases, hydraulic fluids	Ozone, ketones, esters, aldehydes, chlorinated and nitro hydrocarbons
Neoprene Chloroprene polymer	Moderate chemicals and acids, ozone, oily fats, greases, many oils and solvents	Strong oxidizing acids and esters, ketones, chlorinated aromatic and nitro hydrocarbons
Fluoroelastomer Fluorocarbon polymer	All aliphatic, aromatic and halogenated hydrocarbons, acids, animal and vegetable fats	Ketones, low molecular weight esters and nitro containing compounds
Aluminium	Organic acids, fatty acids, freons, nitric acid	Strong acids, alkalis chlorinated solvents, mercury
Stainless Steel	Organic acids, alkalis, nitric acid. Sulphuric acid (10%)	Oxidizing chlorines, some organic acids, hydrochloric acid, hydrofluoric acid
Polymer Liquid crystal polymer	Organic acids, glycols, chlorinated solvents, ketones, mineral and oxidising acids, caustic solutions freons	Sodium hydroxide, sulphuric acid (70%)

This information is provided as a general guide only. Further guidance should be sought with respect to specific chemicals and their applications.

Our components and flange fittings are designed to be leak-tight across the range of vacuum applications, and not intended to provide full structural support. When designing any vacuum system, it is essential that consideration is given to the static and dynamic loads imposed on each connection. If necessary, additional mechanical support should be provided and built into the design. Regular inspection including leak-checking and, where appropriate, periodic replacement of components should be considered to ensure system efficiency and safety is maintained.

Operating temperature	Maximum
"C" clamp and centring ring	-10 to 80 °C
Polymer Co-seal	-10 to 100 °C
Aluminium Co-seal and nitrile seal	-10 to 150 °C
Aluminium Co-seal and fluoroelastomer seal	-10 to 100 °C
Polymer centring ring and nitrile O ring	-10 to 125 °C
Polymer centring ring and fluoroelastomer seal	-10 to 100 °C
Nitrile O ring	-10 to 150 °C
Fluoroelastomer O ring	-10 to 100 °C
Polymer clamp	-10 to 125 °C
Stainless steel clamping ring	-10 to 200 °C
Aluminium swing/hinge clamp	-10 to 200 °C
Stainless steel clamp	1.5 bar

The maximum temperature for continuous operation with fluoroelastomer is 150 °C. It may be intermittently baked at 200 °C.



Publication Number: 3601 0671 01
© Edwards Limited 2021. All rights reserved.
Edwards and the Edwards logo are trademarks of Edwards Limited.

Whilst we make every effort to ensure that we accurately describe our products and services, we give no guarantee as to the accuracy or completeness of any information provided in this brochure.

Edwards Ltd., registered in England and Wales
No. 6124750, registered office: Innovation Drive, Burgess Hill, West Sussex, RH15 9TW, UK.